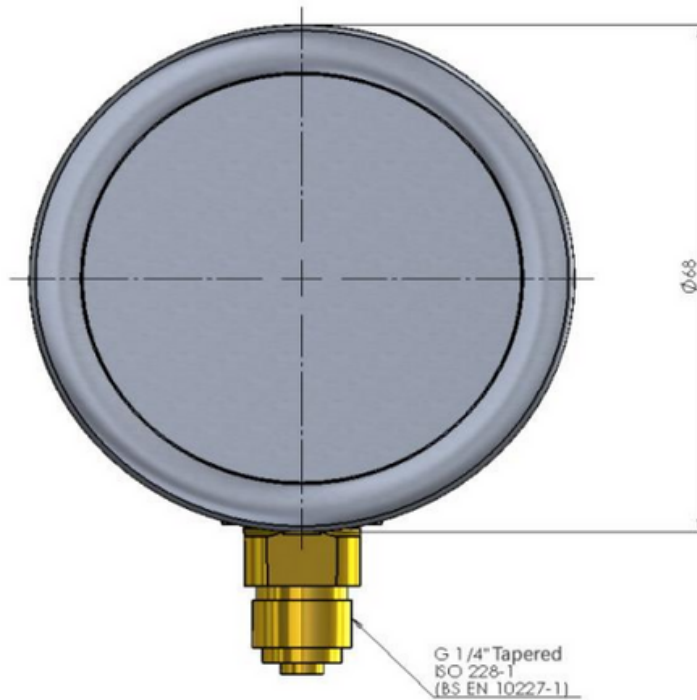


# Technical Datasheet

**INERTECH™** Gaseous Fire Suppression System



## Manifold Pressure Gauge - NF386810



To indicate the pressure in the manifold in the event of overpressure Displays 0-100 bar 1/4" BSP connection to manifold

